

Operating Instructions VTA6S

“The most powerful shop grinder”



Dear Customer,

with the „VTA65“ you have purchased a grinder in the well-known MAHLKÖNIG quality.

Over 90 years of experience in the production and development of grinders have helped us to develop a new product in the MAHLKÖNIG company.

As usual, this new product guarantees top-quality by grinding of all types of coffee.

Before putting the grinder into service, please read these operating instructions including the safety instructions carefully and observe them at all times. Also instruct your personnel accordingly.

Enclosed you will find many useful tips that will make it easier for you to use the grinder. Keep these operating instructions in a safe, easily accessible location. In case of any unclear points or additionally required information, please contact your local dealer or us directly as the manufacturer.

MAHLKÖNIG GmbH & Co. KG

Table of contents

| | | | |
|---|----------|---|-----------|
| 1. Safety | 4 | 7. Operational Problems | 10 |
| 1.1 Symbols | 4 | 8. Recalibration of Grind Adjustment | 11 |
| 1.2 Safety Instructions | 4 | 9. Cleaning | 11 |
| 1.3 Purpose of Use | 5 | 9.1 Cleaning the Grinder Casing | 11 |
| 1.4 User Requirements | 5 | 9.2 Cleaning the Grinding Mechanism | 11 |
| 2. Technical Data | 6 | 10. Maintenance and Repair | 13 |
| 3. Description | 7 | 10.1 Grinding Disc Replacement | 13 |
| 4. Safety Devices of the Grinder | 8 | 11 Spare Parts | 13 |
| 5. Set-up and Basic Adjustment | 8 | 12 Certificate | 14 |
| 5.1 Setting-up Area | 8 | 13. Warranty Conditions | 14 |
| 5.2 Installation | 8 | | |
| 6. Operation | 9 | | |
| 6.1 Operating Instructions | 9 | | |

1. Safety



Please read and observe the following operating instructions carefully. Non-observance can result in damage to the grinder as well as in health-threatening risks for the user.

1.1 Symbols

The following two symbols are used in this manual of operating instructions:



Safety instruction:

In case of non-observance, extreme risk of accidents exists.



General instruction:

In case of non-observance, the grinder can become damaged or optimum operation not be guaranteed.

1.2 Safety Instructions

Never use the grinding mechanism to grind other products or objects than coffee beans. Ground material is never allowed to be filled into the hopper.

Do not carry out any modifications or changes on the grinder. In case of non-observance, the manufacturer shall be liable for resulting damage in no case whatsoever.

Never operate the grinder in moist or, even worse, in wet surroundings.

Never put your fingers or objects into the rotating grinding mechanism underneath the hopper.

Always pull the power supply plug out of the outlet before carrying out any maintenance or cleaning work on the grinder. Never start the grinder with a defective power supply cable.

Check the grinder regularly for any signs of damage on the power supply cable, plug, finger protector, etc. Any repairs that may be required are only allowed to be carried out by experts. Please contact an authorized customer service centre, your local dealer or us directly as the manufacturer.

Do not exceed the permissible maximum operating period of 40 minutes. Afterwards, allow the motor to cool down for approx. 30–40 minutes.

When unpacking the grinder, please check to determine whether the power supply voltage (volts) corresponds to the grinder voltage on the rating plate.

Children do not recognize the risks that may arise when handling electrical grinders; therefore never leave children alone with electrical devices without proper supervision.



Never immerse the grinder in water and do not operate it with wet hands.

1.3 Purpose of Use

The grinder you have purchased is only allowed to be used to grind whole coffee beans. Never fill already ground coffee into the hopper.

1.4 User Requirements

No special requirements are specified for the users of this grinder. It is, however, assumed that this manual of operating instructions has been carefully read and understood and that all instructions provided in this manual will be observed. In addition, working with the grinder on a safety-conscious basis is also expected.

2. Technical Data

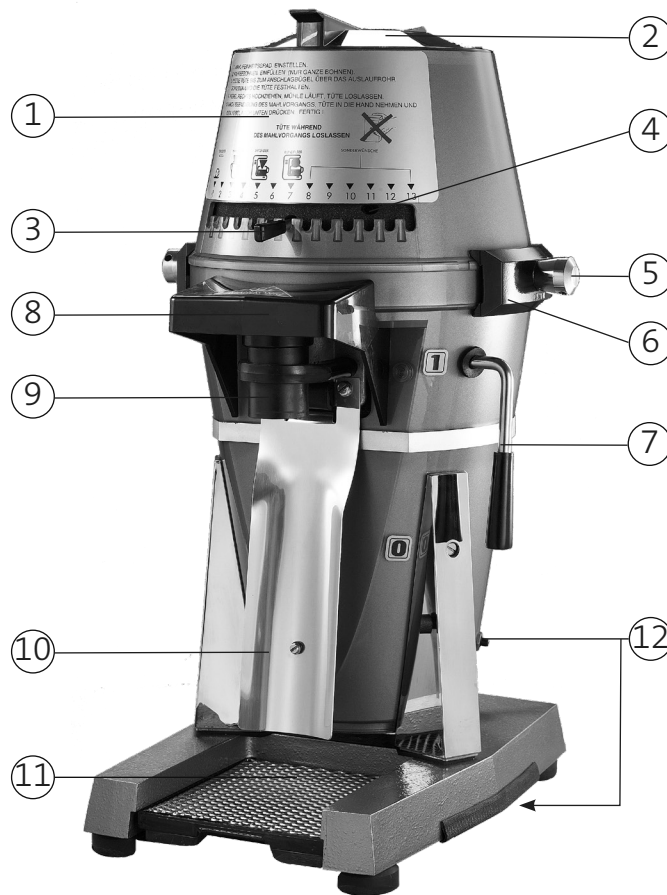
| Type | VTA6S VTA6ST VTA6SE VTA6SH | VTA6S FC VTA6ST FC VTA6SE FC VTA6SH FC | VTA6SW |
|--------------------------------------|---|---|---------------------------------------|
| Voltage / Frequency / Phases | 200V / 50Hz / 3~ 200V / 60Hz / 3~ 208V / 60Hz / 3~ 400V / 50Hz / 3~ 415V / 50Hz / 3~ | 208V / 60Hz / 1~ 230V / 50Hz / 1~ | 208V / 60Hz / 1~ 230V / 50Hz / 1~ |
| Motor Capacity Rating | 2100 W | 1500 W | 1720 W |
| Motor Rotations | 1430 rpm @ 50Hz 1725 rpm @ 60Hz | 1430 rpm @ 50Hz 1725 rpm @ 60Hz | 1430 rpm @ 50Hz 1725 rpm @ 60Hz |
| Overload Protection | 9 A (200V / 50Hz / 3~) 10 A (200V / 60Hz / 3~) 9,3 A (208V / 60Hz / 3~) 5 A (400V / 50Hz / 3~) 4,2 A (415V / 50Hz / 3~) | 12 A | 12 A |
| Pre-Fuse (building) | 3x 16A-slow | 16A-slow | 16A-slow |
| Max. Continuous Grinding Time | 40 minutes | 40 minutes | 40 minutes |
| Dimensions (W x H x D) | 37x63x38 cm (14.6 x 24.8 x 14.9 inch) | 37 x 63 x 38 cm (14.6 x 24.8 x 14.9 inch) | 37x63x 8 cm (14.6 x 24.8 x 14.9 inch) |
| Hopper capacity | 1000g (2.2 lbs) | 1000g (2.2 lbs) | 1000g (2.2 lbs) |
| Weight | 42 kg (92,6 lbs) | 45 kg (99,2 lbs) | 42 kg (92,6 lbs) |
| Sound Level when grinding | 73dB (A) | 73dB (A) | 73dB (A) |

(Please ask the manufacturer or dealer for technical data on other voltages and frequencies.)

3. Description

The main components and operating elements are shown in the figure.

- Pos. 1 Upper part of casing with hopper
- Pos. 2 Hinged lid
- Pos. 3 Stop lever for grind adjustment
- Pos. 4 Allen screw
- Pos. 5 Star handle / Round handle
- Pos. 6 Clamp
- Pos. 7 On / Off lever
- Pos. 8 Bag holder hood
- Pos. 9 Spout
- Pos. 10 Shaking plate
- Pos. 11 Residue tray
- Pos. 12 Reset button (at the side or under the grinder)



4. Safety Devices of the Grinder

Thermal overload circuit breaker

The motor of the grinder is protected by an overload circuit breaker, which interrupts the electric circuit of the motor when the grinder is subject to electric overloading. To re-start the grinder, press the reset button.

- VTA6SW reset button in the back of the grinder body
- VTA6S reset button underneath the grinder's baseplate



The user has no influence whatsoever on this operation. In case of repeated tripping of the circuit breaker, contact a service partner since this could cause damage to the motor winding.

Motor protector (winding protection)

The grinder is protected against thermal overloading by a motor protector (thermostat, inserted in the winding). Whenever the winding of the motor heats up to an impermissible level, the motor protector interrupts the electric circuit of the motor. Following a cool-off phase (approx. 1 hr.), the motor protector is switched on again automatically and the grinder can be started.

Finger protector / Magnet holder

A combined finger protector / magnet holder is fitted in the hopper of the grinder. It is supposed to prevent the user from reaching into the running grinding mechanism. At the same time, it also prevents ferrous foreign objects from getting into the grinding mechanism. Every now and then clean the magnet since adhering foreign objects could block the coffee supply.



Never remove the finger protection!

5. Set-up and Basic Adjustment

A grinding test run is carried out on each grinder in the factory. This is why you may find ground coffee residue in the grinding mechanism!

5.1 Setting-up Area

Place the grinder on a level surface free of vibration.



Never operate the grinder in moist, or even worse, in wet surroundings.

5.2 Installation

You have received your grinder in operating condition. Now you only need to connect it to a power supply system. Proceed as follows:



Protect your grinder with a separate pre-fuse (not included in the scope of supplies) according to the information provided under 2. Technical data.



Make sure that the pre-fuse is not overloaded by other consuming devices (e.g. fan forced heaters, deep freezers).



Determine whether the mains (voltage-supply and frequency) correspond to the information on the rating plate.

Insert the plug into the available grounded outlet.



After the grinder has been connected, check the direction of rotation of the grinding disc (arrow on the hopper). If the grinder is rotating in the wrong direction ask an electrician to reverse the polarity of the socket in compliance with DIN standards.*

6. Operation

6.1 Operating Instructions

1. Position the stop lever of the grind degree setting to the grind degree you require (Pos. 3).
2. Now fill the coffee beans into the hopper. Close the hopper.
3. Push the completely opened bag over the spout all the way to the black stop. Now pull the lever with the black handle (on the right hand side of the grinder) to “On”. (Pos. 7) The following processes are controlled by lifting the lever:
 - The bag is fixed in position on the spout.
 - The grinder is switched on.



Do not hold the bag as otherwise the shaking of the bag does not work!

4. After the grinding process has been completed, hold the bag gently at its base and push the lever to the “Off” position.

This action controls the following processes:

- The bag is released from its fixed position.
- The machine is switched off.

The inside of the spout is cleaned of ground coffee residues. The lever does not need to be moved up and down to clean the spout.



Moving the lever up and down can damage the electrical components of the grinder.

7. Operational Problems

| Fault | Cause | Corrective measure |
|-----------------------------|--|--|
| The grinder does not start. | The power supply plug is not inserted. | Insert the plug into the outlet. |
| | The overload circuit breaker has been tripped. | Check to determine whether the reset button of the circuit breaker has jumped out. Press the reset button in again if appropriate. In case of repeated tripping of the circuit breaker, contact your authorised customer service centre or dealer. |
| | The motor protector has been triggered. | Give the grinder a break of approx. 1 hour. |
| | The pre-fuse was tripped. | Check the pre-fuse. Restore the pre-fuse to its initial state or replace it. Determine whether other consuming grinders are also connected to this fuse. |

| Fault | Cause | Corrective measure |
|---------------------------------------|---|---|
| The grinder hums but does not grind. | The spout is clogged. | Adjust the rotary knob to „coarse“ and then switch on the grinder. The grinder will then grind itself free. Afterwards, set the rotary knob back to the desired grind degree. |
| | A foreign object is in the grinding mechanism. | Clean the grinding mechanism as described under 9.2 and remove the foreign object. Observe the safety instructions! |
| Grinder rotates but without grinding. | Incorrect direction of rotation. (correct: counter-clockwise) | Have the polarity checked by an authorized electrician. |
| | Metal parts on the hopper magnet obstruct the incoming flow of material to be ground. | Clean the hopper magnet. |

In case of other malfunctions or continued faults, please contact your dealer or your authorised customer service centre.

8. Recalibration of Grind Adjustment

The grinder has been adjusted accurately by the manufacturer. However, if after a longer period of use the ground coffee is not fine enough any more, you can readjust the grinder as follows:

1. Switch on the grinder and move the grind adjustment lever (Pos. 3) to notch "1".
2. Loosen the allen screw using the enclosed hexagon spanner and move the lever to notch "5". Now tighten the screw again.
3. Now carefully and slowly move the lever to the left until you hear a slight rattling noise (the grinding discs are touching) and then turn it back again by approx. one notch. The closer the grinding discs are to touching, the finer the beans are ground. However, you must not be able to hear the grinding discs rattling together.
4. Now loosen the allen screw and move the lever to notch „1“.
5. Now tighten the allen screw.



It is important to ensure that no „rattling“ noise of the grinding disks can be heard! Their service life will otherwise be significantly reduced!

6. Now switch off the grinder. For test purposes hold a bag underneath the spout and grind a handful of coffee beans.

If the result is not satisfactory the grinder needs to be cleaned or the grinding discs must be renewed.

9. Cleaning



Always pull the power supply plug out of the outlet before carrying out any maintenance or cleaning work on the grinder!



Observe the safety instructions under 1.2!

9.1 Cleaning the Grinder Casing

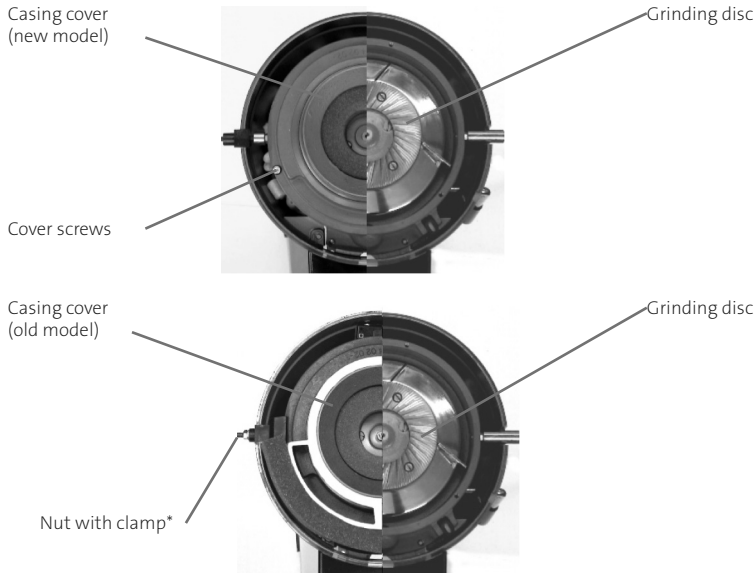
Clean the casing of your grinder every now and then with food grade mild cleaning agents. In addition, you should also clean the magnet in the hopper from time to time by removing any foreign objects that may have become stuck because otherwise this could result in clogging.



Do not let any foreign objects fall into the grinding mechanism!

9.2 Cleaning the Grinding Mechanism

1. Pull the mains plug out of the socket.
2. Loosen both star handles / round handles until the clamps release the top of the casing.
3. Move the grind adjustment (Pos. 3) to notch "7" (middle position) and pull the upper part upwards at an angle towards you (in doing so, the stop lever slides through the slot).
4. Remove the three screws of the cover and lift the grinding casing cover off.



6. Put the grinder casing cover and the grinder casing back together again and fix with 3 screws (in the case of the old model attach the nuts and clamps on the side again).
7. Place the top part in position and make sure that the stop lever is pushed through the slot. By turning the top part to the right or to the left, engage the cut-out in the top part into the associated spacer block on the lower part.
8. Fit the clamps correctly and tighten the star handles / round handles.
Labelling: UNTEN (German) = bottom
9. Move the grind adjustment lever into position "1" and connect to the electricity supply again.

5. Clean the entire grinder using a fine brush and remove any foreign objects.



No coffee residues may adhere to the surfaces where the grinder casing and the grinder casing cover lie on top of one another when you put the grinder back together again.

* simply remove screw on both sides (same function as the screws of the cover)

10. Maintenance and Repair



Always pull the power supply plug out of the outlet before carrying out any maintenance or cleaning work on the grinder!



Check the grinder regularly for any signs of damage on the power supply cable, plug, finger protector, etc.



Any repairs that may be required are only allowed to be carried out by authorised experts. Please contact an authorised customer service centre or your local dealer.

10.1 Grinding Disc Replacement

If the grinding performance decreases and the ground coffee is hot and irregular, you should change the grinding discs.

1. Take the grinder apart as described under “9” and remove the grinding discs from the threaded adjuster and the rotating burr carrier using a screwdriver.
2. Clean the surfaces of the new grinding discs thoroughly and screw them in position tight and evenly.
3. Close the grinder casing as described under “9” again and set the grind degree again as described under “8”.

11. Spare Parts

Spare parts are usually ordered from your customer service centre or your local dealer. To ensure quick, correct processing of your order, the following information is absolutely required:

1. Type designation and serial number of the grinder (on the rating plate on the rear side of the grinder).
2. Color of the grinder

12. Certificate

EC DECLARATION OF CONFORMITY



The manufacturer:

MAHLKÖNIG GmbH & Co. KG
Tilsiter Straße 142, 22047 Hamburg
Tel.: +49 40 69 69 40 0
Fax: +49 40 69 39 72 1

Hereby declares that the below mentioned product:

Product: Device for food processing
Machine Model: Coffee grinder
Type of machine: VTA6S

Following directives and regulations have been applied:

| | |
|--|--------------------|
| • The provisions of the Machinery Directive | 2006/42/EG |
| • The Low Voltage Directive | 2014/35/EU |
| • The EC Electromagnetic Compatibility Directive | 2014/30/EU |
| • The Directive on the restriction of use of certain hazardous substances in electrical and electronic equipment | 2011/65/EU |
| • Safety of electrical appliances | EN 60335 |
| • Measurement methods for electromagnetic fields | EN 62233 |
| • The EU chemicals regulation (REACH – Regulation) | (EC) Nr. 1907/2006 |

Supplements in Europe:

| | |
|---------------------|---|
| Directive 1935/2004 | Requirements for materials and the objects with Food comes into Contact |
|---------------------|---|

| | |
|----------------------|--|
| Directive 2011/10/EU | For objects and materials made of plastic, which are intended to contact with food |
|----------------------|--|

| | |
|-------------------------------------|-------------------------------------|
| Documentation Agent: | Sven Erdmann |
| Address of the proxy documentation: | See the address of the manufacturer |
| Done in Hamburg on: | 01.09.2016 |
| Function of subscriber: | General Manager |
| Name of signatory: | Philipp Baumberger |

signature

13. Warranty Conditions

1. The warranty period is 1 year from the date of purchase.
2. The warranty covers all damages that can be attributed to inferior materials or defective workmanship. Corresponding grinders will be repaired or replaced free-of-charge, with the exception of transport or freight charges. Transport is the responsibility of the customer. Therefore, avoid damages with all returns by correct packing.
3. The grinder may only be opened for cleaning purposes in accordance with the Operating Instructions.
4. This warranty does not cover damages which have occurred through: Improper usage, improper maintenance, lack of servicing, usage for purposes other than those intended, incorrect installation, incorrect voltage, breakage, natural wear or for reasons beyond our sphere of influence.
5. In order to maintain the warranty, only original spare parts and accessory parts may be used.
6. Observe in addition our General Delivery Conditions in their respective current version.
7. The manufacturer is in no way liable for consecutive or secondary damages.
8. The warranty does not cover costs emerging from repairs conducted by non-authorized personnel.

MAHLKÖNIG GmbH & Co. KG

Tilsiter Straße 142
22047 Hamburg, Germany

Tel.: +49 40 - 69 69 40-0

Fax: +49 40 - 69 39 721

office@mahlkoenig.de - www.mahlkoenig.de

July 2009

Subject to change without prior notice!

